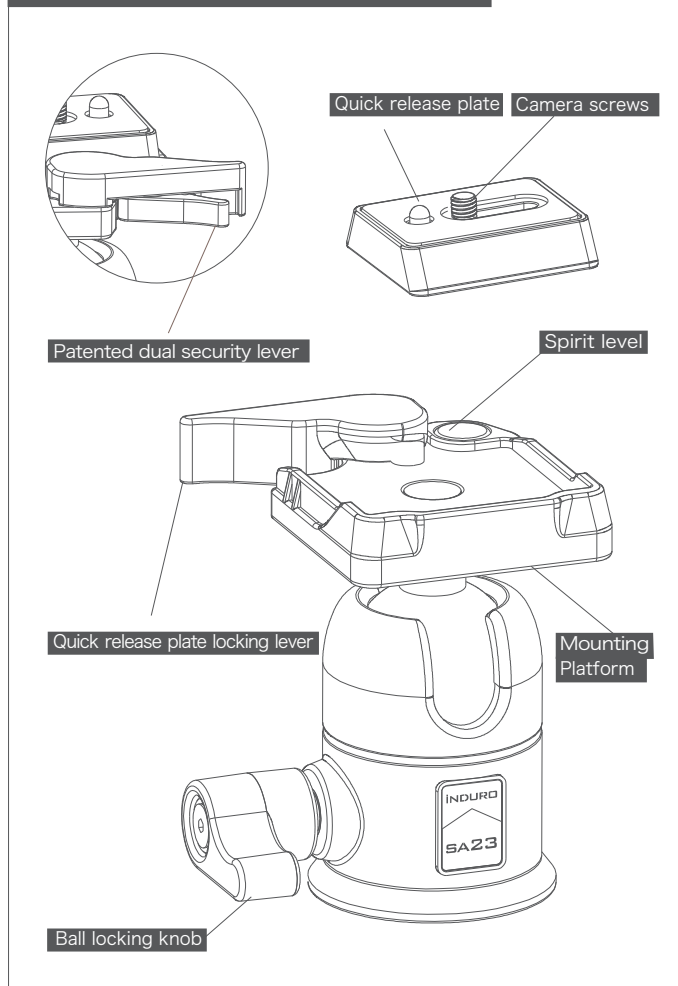


INDURO™

OPERATING INSTRUCTION SA-SERIES BALLHEADS

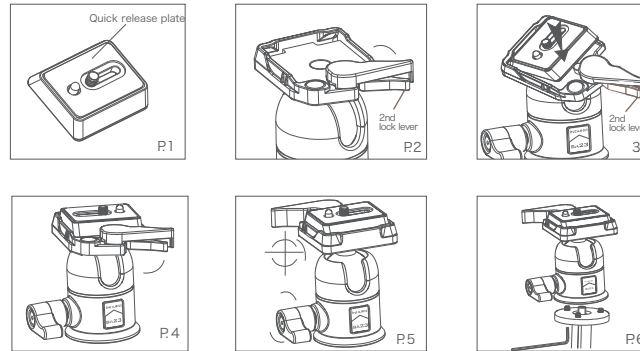
Thank you for making Induro your choice for professional photographic gear. Before using this equipment please read these instructions for proper use and the best performance.

THE SA SERIES PARTS DIAGRAM



† All data are the mean data, since this series camera head is constituted by many parts. Therefore, there is a little difference between the real product and the data.

THE SA SERIES OPERATING METHODS



IDENTIFYING BALL HEAD MODEL NUMBERS

Prefix 1 st	and 2 nd Digit
Locking System	Balanced for Series
SA = Single action	0 = Series 0 01 = Series 0 & 1 12 = Series 1 & 2 23 = Series 2 & 3 34 = Series 3 & 4

TABLE OF BH SERIES

MOEAL NO	Ball D (mm)	LxBxH (mm)	Weight (kg)	Max Load (kg)
BH-00	∅ 24	62x61x71	0.21	2
BH-0	∅ 30	62x61x71	0.31	4
BH-1	∅ 36	78x70x92	0.41	6
BH-2	∅ 44	84x70x97	0.51	8

USER NOTICE:

Your Induro SA Ball head has been designed for years of maintenance free use. Please follow the guidelines below to ensure the best performance, reliability and durability expected from Induro Gear.

1. Do not exceed the maximum specified load capacity (see product specification chart)
2. Always ensure that the ball lock is tightly engaged before mounting a camera onto the head!
3. Do not use the ball head below temperatures of - 4°C or above +158°F (- 20°C / +70°C)
4. Always clean and dry the ball head after it has been exposed

to wet, dusty, sandy or salty conditions. Your SA ball head is not recommended for use in salt water. Clean the ball head with a mild soap and soft cloth. Remove any dust, dirt or sand from the ball, ball lock lever and threads, and all moving parts.

5. Use the correct series ball head with the recommend series tripod to avoid unequal balancing issues.
6. Do not over tighten locking levers, as this could damage the ball head locking mechanism.

OPERATION

Before using your SA Ball head, make sure you are using the correct size ball head for the tripod series and camera weight intended. Always engage any safety locks on the support head to prevent any accidental dismounting.

1. Quick Release Plate: (See figure 1) The SA-Series incorporates a quick release plate system. It offers a quick method of mounting or releasing a camera or equipment from the tripod head. It's important that the correct quick release plate be used along with the proper mounting screw (3/8" or 1/4"-20") The quick release includes a spring-loaded positioning pin. This pin prevents twisting of the quick release plate while mounted on the camera. If the camera or equipment that provides a positioning pinhole, make sure the quick release positioning pin inserts into the hole.

2. Quick Release Locking Lever: (See figure 2) The SA-Series includes a patented dual lock quick release system. When used properly, it offers a secondary security lock. To remove the quick release plate, squeeze both levers (see figure 3) and pull the lever out. The quick release plate will release and can be removed. To reconnect the quick release plate, squeeze both levers and pull the lever out. Insert the quick release plate towards the opposite side of the locking lever first than press the quick release plate down (See figure 3). A spring loaded release pin will automatically engage the locking system and the locking levers will return to the lock position.

3. Single Action Ball Lock: (See figure 5) The single action ball-locking lever controls all movements of the SA-Series ball heads. When released the ball head and the camera mounting platform can move freely within the range of the yoke opening. Two U-shaped openings on opposite sides provide 90-degree movement of the camera platform. The single action ball-locking lever is spring-loaded and can be repositioned when it is in the lock position to accommodate a desired lever position.

4. Head Mounting: (See figure 6) When mounting the SA-Series ball head onto an Induro tripod position the 3/8" female thread, located on the bottom of the ball head on to the 3/8" male screw found on the tripod mounting platform. Screw the ball head until it is firm in contact with the tripod-mounting platform and is tightly secure. For additional security and a more permanent mount, some tripods including all Induro tripods and monopod include setscrews to securely mount the tripod head. Once the tripod head is screwed onto the center mounting screw (3/8 or 1/4"-20) tighten each of the three set screws with the provided Allen wrench until there are tightly secured.

INDURO™

Camera Support Gear
8 Westchester Plaza, Elmsford, NY 10523
Phone: 914-347-3300 Fax: 914-347-3309
E-mail: info@indurogear.com
www.indurogear.com

499-905